

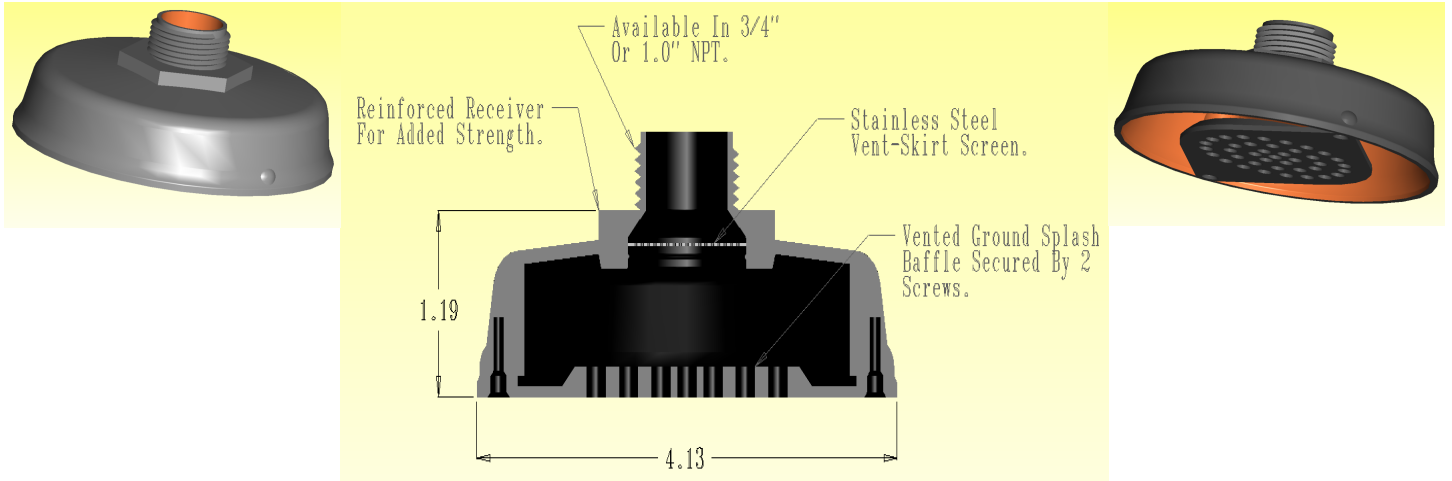
Bennett Regulator Guards, Inc. has developed a revolutionary solution to reduce the probability of ice formation on the relief vents of gas pressure regulators.

Wintry conditions can pose many threats to the natural gas industry. Some of these threats include the loss of gas pressure or a possible dangerous over-pressure condition resulting from an ice blocked relief vent.

Our MBVS-1200 AP Vent Skirts are extremely durable, inexpensive, easy to install, and they blend perfectly with the existing metering equipment.

Installation procedures allow your mechanic to install the MBVS-1200 AP with no interruption in gas flow. This takes only minutes and is so simple that some utilities have contracted college students to perform installation during the summer months. In addition, the use of the BRG MBVS-1200 AP Vent Skirt will eliminate the costly time to de-ice meters and restore gas service.

The ultimate benefit of the MBVS-1200 AP Vent Skirt is the assurance and peace of mind that comes with customer satisfaction and safety.



PART NUMBER:	MBVS-1200
SIZE:	1.9" high x 4.13" diameter
COLOR:	Gray
MATERIALS:	High impact / UV stabilized Thermoplastic with a stainless steel screen
COMPATABILITY:	Will adapt to all regulator systems using 3/4" or 1" NPT thread
APPLICATION:	Prevents gas build-up due to blockage of gas relief valve



Freeze test photo of the MBVS-1200 Vent Skirt installed on Meter Bar regulator



BENNETT
Regulator Guards, Inc.
 Bright ideas for the utility industry
 web: www.ventskirts.com
 e-mail: info@ventskirts.com